

MARY WALLIS

LIGHT LINE TABLE LAMP
MODEL: LL.01.01



Shown in: Brushed brass

MATERIALS:

Machined brass

AVAILABLE METAL FINISHES:

Brushed brass, vintage brass, satin nickel,
oil-rubbed bronze & polished copper

LAMPING:

Neon
Transformer included

DIMMABLE:

Yes

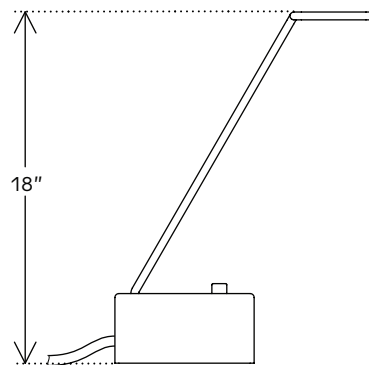
WEIGHT:

15 lbs

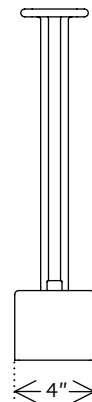
DIMENSIONS:

18"H x 13"L x 4"D

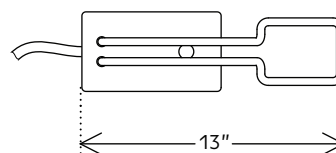
FRONT



SIDE



TOP



MARY WALLIS STUDIO

BY APPOINTMENT | 526 W 26TH ST #707 | NEW YORK NY 10001
www.marywallis.com | info@marywallis.com | +1 646 580 8135